



HK上翻系统具有双缓冲功能，门板打开到 $52^{\circ} \pm 7^{\circ}$ 以上角度任意位置悬停，无需工具可快速拆卸，轻松开启，轻柔闭合，让高处物品轻松取放。

The HK flip-up system has a double buffer function. When the door panel is opened to an angle of $52^{\circ} \pm 7^{\circ}$ or more, it can hover at any position, easily open and close gently, allowing easy access to high objects. It can be quickly disassembled without tools.

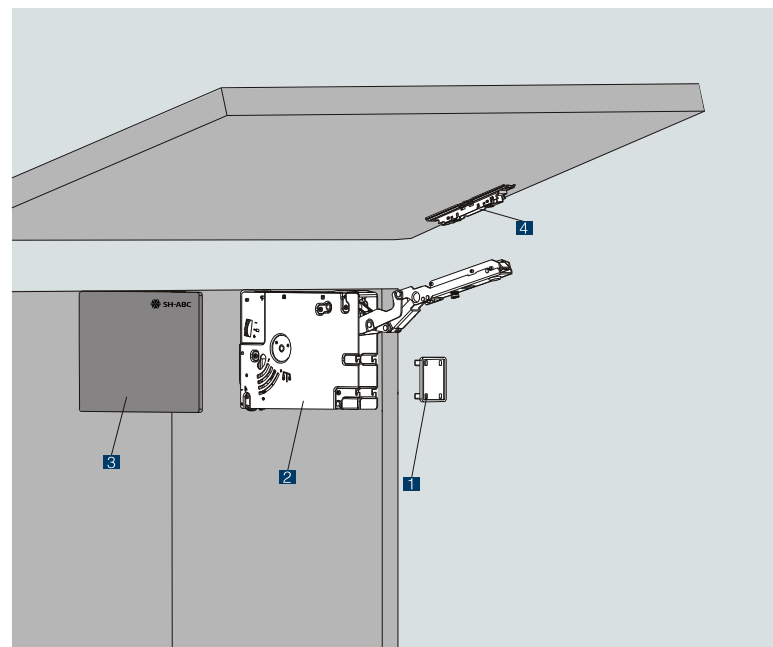



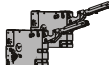


- 门板打开到 $52^{\circ} \pm 7^{\circ}$ 以上角度任意悬停阶段
- 门板关闭到 $40^{\circ} \pm 15^{\circ}$ 自动关闭
- 适用柜体高度: 250-650mm
- 适用柜体宽度: ≤ 1200 mm
- 适用柜体最小深度: 200mm
- 门板免工具快速拆卸
- 开关门轻柔, 有缓冲功能
- 面板可实现三维调节
- 两产品型号支撑力矩有重叠时, 选用较大支撑力矩型号

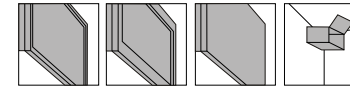
- Stops at any angle once the door opens at $52^{\circ} \pm 7^{\circ}$
- Door plate at $40^{\circ} \pm 15^{\circ}$ automatically
- Door height: 250-650mm
- Cabinet width: ≤ 1200 mm
- Cabinet minimum depth: 200mm
- Tool-free assembly
- Open and close gently, with double buffering function
- Panel position can be adjusted in three dimensions
- When the support torque range of two models overlaps, select the model with the larger support torque

产品型号 Item No.	门高 (mm) Door height	门重 (kg) Door weight	支撑力矩 Power factor
HK1000	250~450	2~5	500~1350
HK2000	300~650	2.8~7	1100~2250
HK3000	350~650	4.5~10	2000~4050
HK4000	400~650	8~12	3500~5200

支撑力矩=门高 (mm) * 门重 (kg)
Power factor = Door height (mm) * Door weight (kg)



- 1  安装定位扣 1付
Install positioning buckle 1Pair
- 2  铰链本体 (左/右) 1付
Lift mechanism (L/R) 1Pair
- 3  装饰盖 (左/右) 1付
Cover (L/R) 1Pair
- 4  门板基座 1付
Front panel fixing-brackets 1Pair

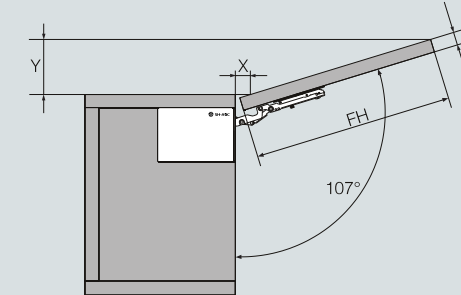


安装空间准备 (顶部空间: mm) Space Required (top)

D: 面板厚度 Door Thickness FH: 面板高度 Door height
X: 柜顶飘出长度 Y: 面板最外端离柜内内壁距离

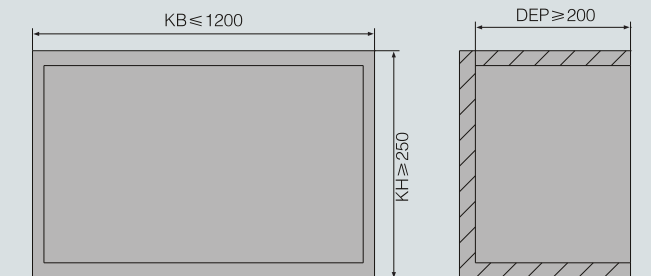
打开角度 Opening angle 107° $Y = FH * 0.29 - 6$

D(mm)	16	19	22	26
X(mm)	70	59	49	26



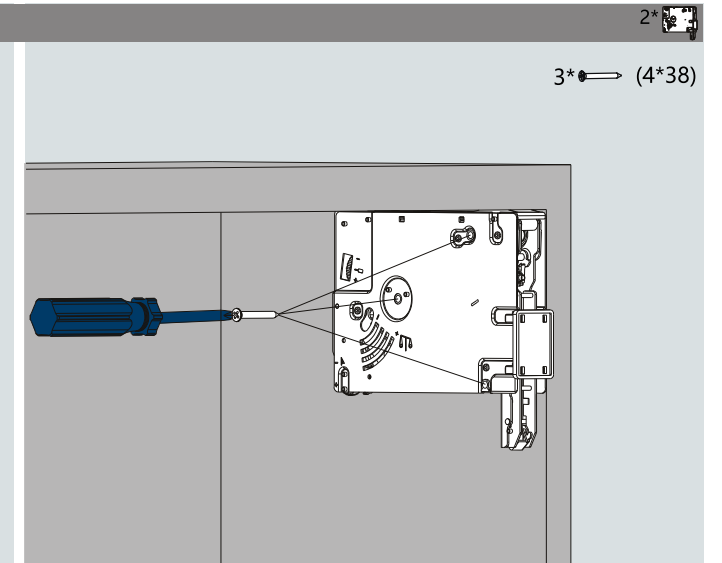
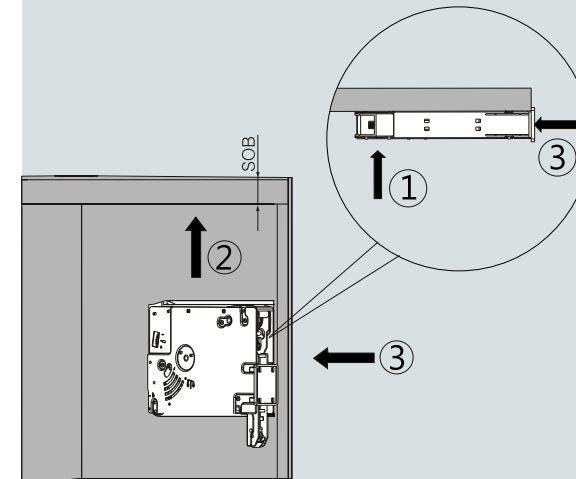
安装空间准备 (柜子尺寸: mm) Required space (cabinet)

KH: 柜体高度 Door height KB: 柜体宽度 Door width
DEP: 柜内净深 Inside net depth



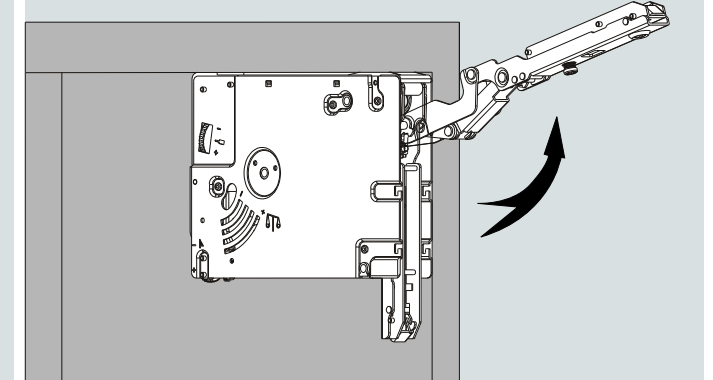
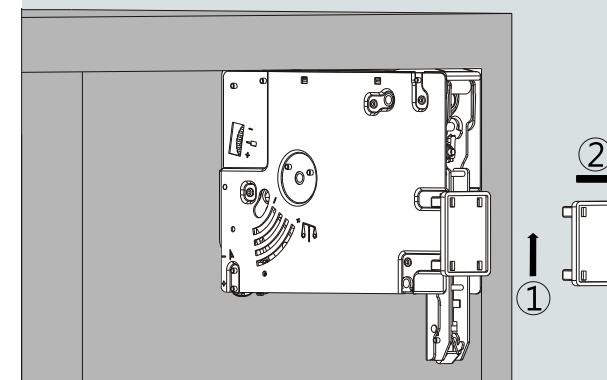
本体安装 Ontology installed

SOB: 柜顶顶板厚度 (Thickness of cabinet roof) 16-26mm



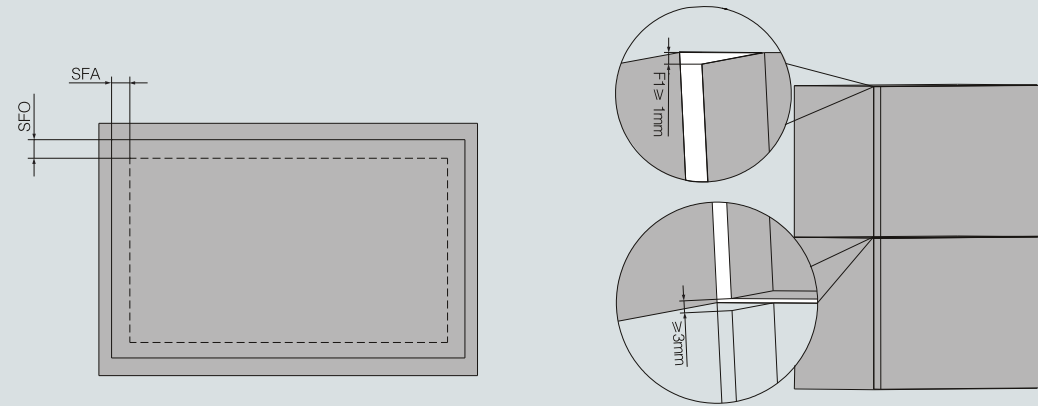
本体安装 Ontology installed

脱开安装定位扣 Dismantling positioning buckle



门板预安装 Panel preinstallation

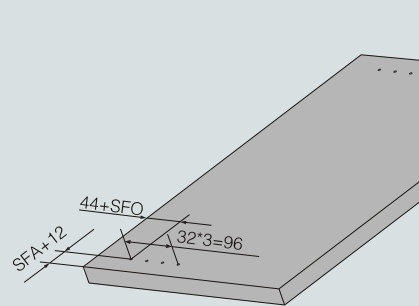
SFA: 侧盖位 Side cover SFO: 顶缝盖位 Top cover F1: 门顶缝 Door seam roof



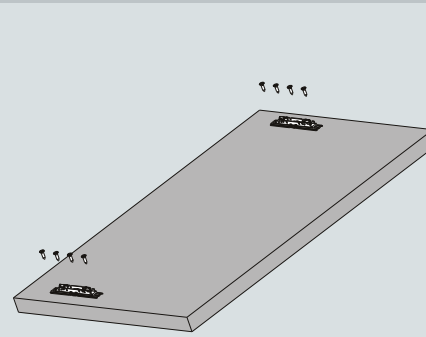
门板预安装 Panel preinstallation

门板安装孔位 Mounting hole position of door panel

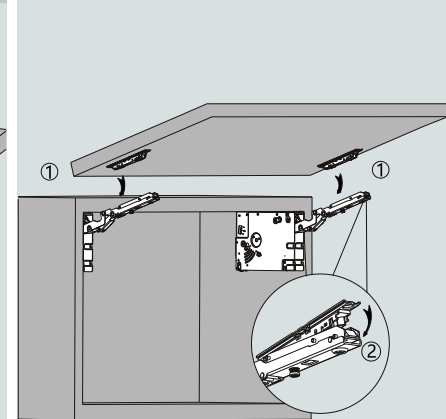
SFA: 侧盖位 Side cover
SFO: 顶缝盖位 Top cover



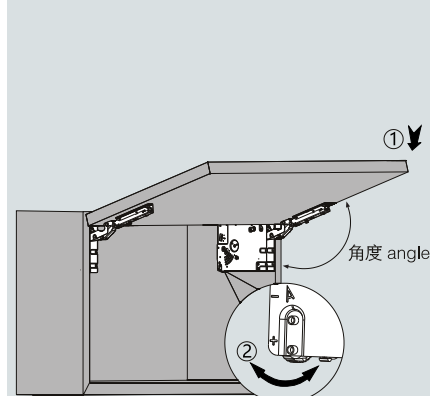
底座安装 Installed base $8 \times \rightarrow (3.5 \times 15) \quad 2 \times$



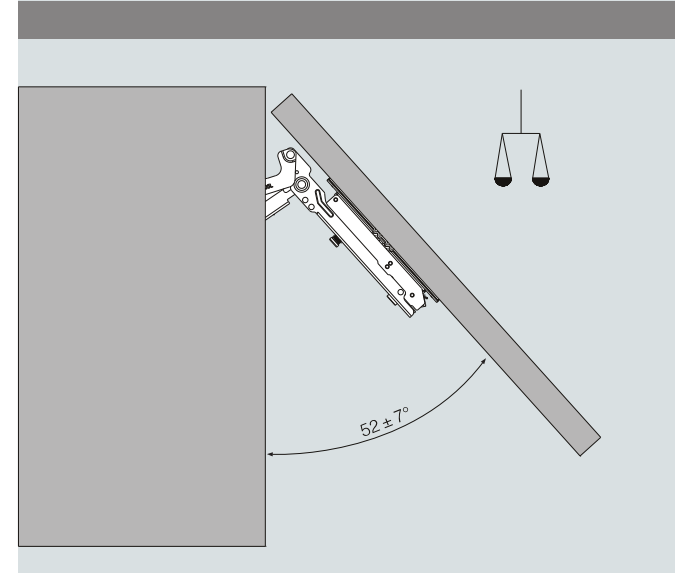
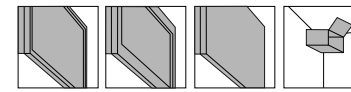
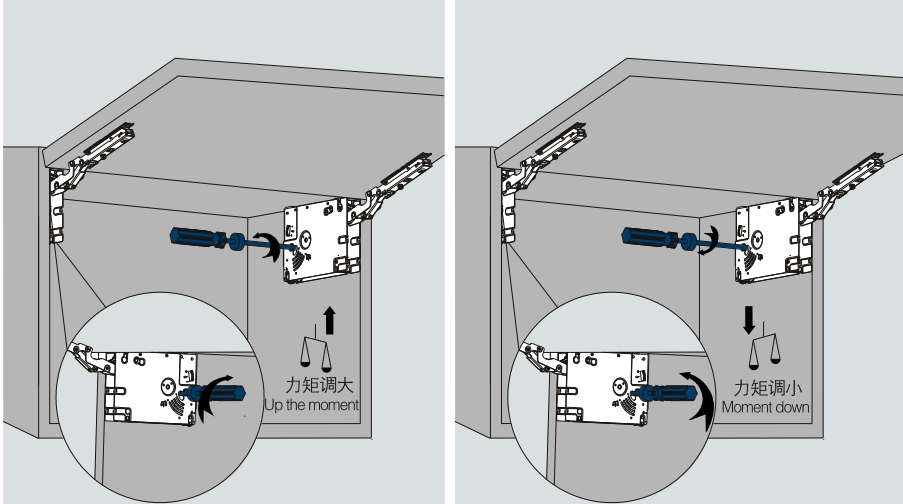
门板安装 Panel installation



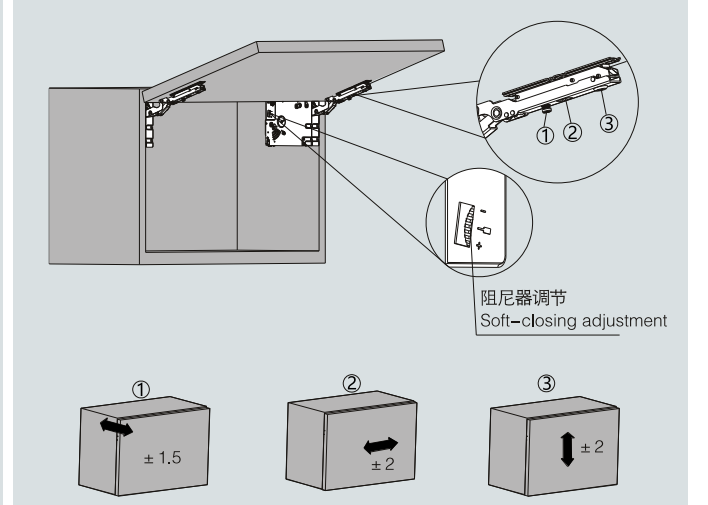
门板角度调节 Panel Angle adjustment



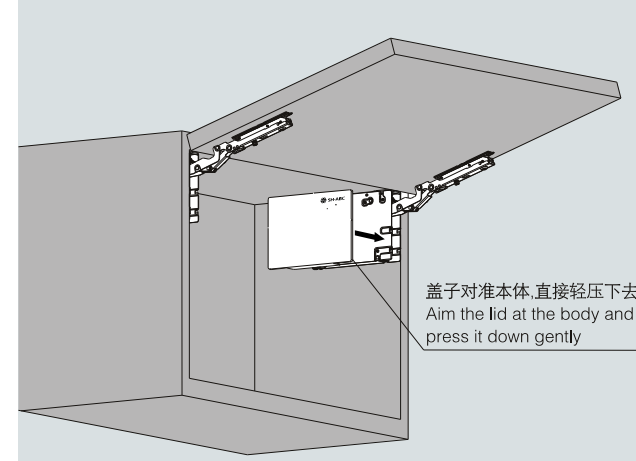
门板力平衡调节 Panel force balance adjustment



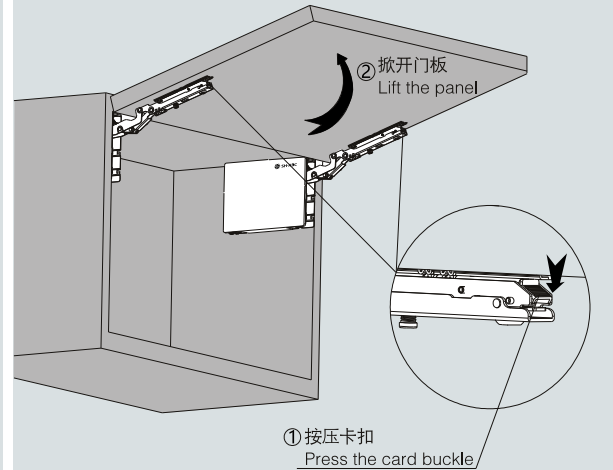
位置及阻尼调节 Panel position adjustment



外观盖安装 Cover mounting



门板拆卸 Panel to remove



外观盖拆卸 Exterior cover removal

